

Datasheet: Necsel™ RGB NovaLum 1200 Laser

These specifications are for the Necsel multi-color (RGB) NovaLum package (1200 lumens at D65).



Model #	Symbol	Min. (mW)	Typical (mW)	Max. (mW)
NovaLum-RGB-1200	λ	-	5190	-

Operating Wavelengths

Laser Parameter	Symbol	Min.	Typical	Max.	Unit
Operating Power RGB (D65 White Balanced)	P_{op}	-	5190	-	mW
Module Operating Temperature [non-condensing atmosphere]	$T_{Thermistor}$	-	25	-	°C

Red

Center Wavelength	λ	-	638	-	nm
Operating Power	P_{op}	2500	-	-	mW
Current	I_{op}	-	800	-	mA
Voltage	V_{op}	9.5	12.0	13.0	V

Green

Center Wavelength	λ	-	525	-	nm
Operating Power	P_{op}	1500	-	-	mW
Current	I_{op}	-	1700	-	mA
Voltage	V_{op}	7.0	9.4	10.4	V

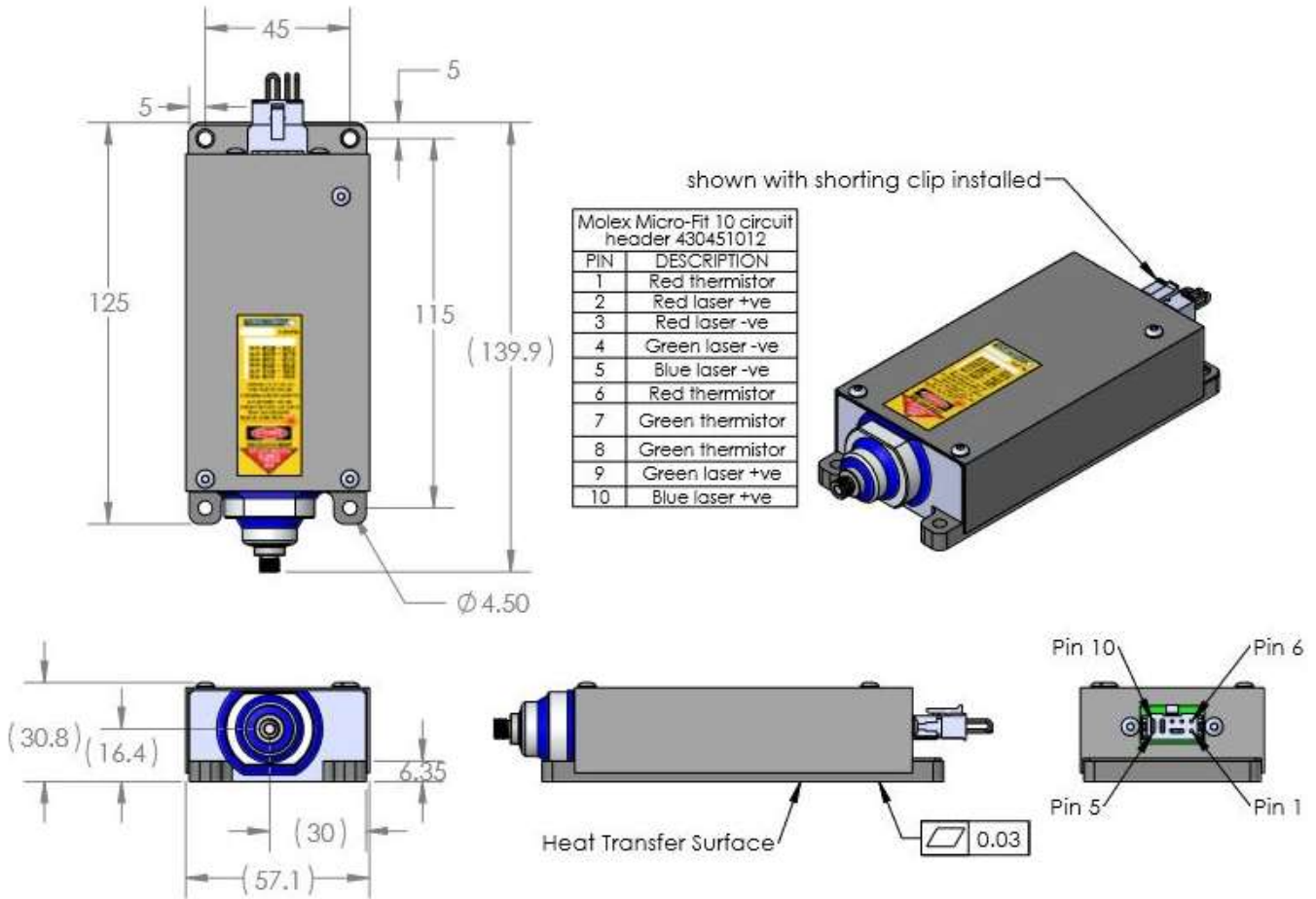
Blue

Center Wavelength	λ	-	465	-	nm
Operating Power	P_{op}	1200	-	-	mW
Current	I_{op}	-	1500	-	mA
Voltage	V_{op}	3.5	4.2	4.8	V

Fiber Specifications

Fiber Core Diameter (Centration \leq 10 μ m)	0.400	mm
Connector Type (Nose length 0.3850 - 0.3863 in., 9.779 9.812 mm)	SMA-905	
Numerical Aperture	0.22	

Outline Drawing and Electrical Connections



Necsel follows a policy of continuous product improvement and may change product descriptions and specifications at any time without notice. Necsel offers a limited product warranty to ensure customer satisfaction. Standard terms and conditions can be found on the web at <http://necsel.com/terms-conditions>. This product is solely intended to be integrated into a laser product certified by the Customer. The Customer acknowledges that their product(s) that incorporate Necsel laser products must comply with the applicable regulations before it can be sold.

